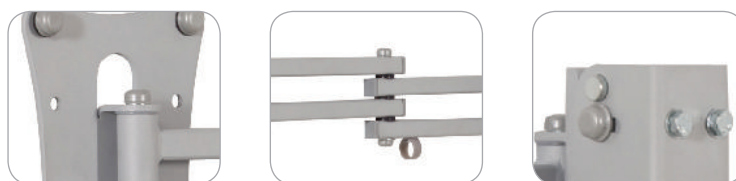
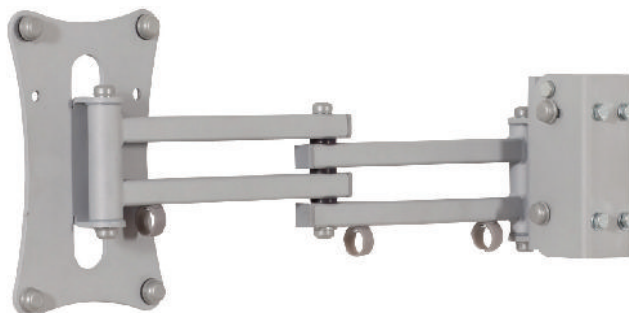


SAP1 ■ Dual Swing Arm Wall Mount 42"-60"



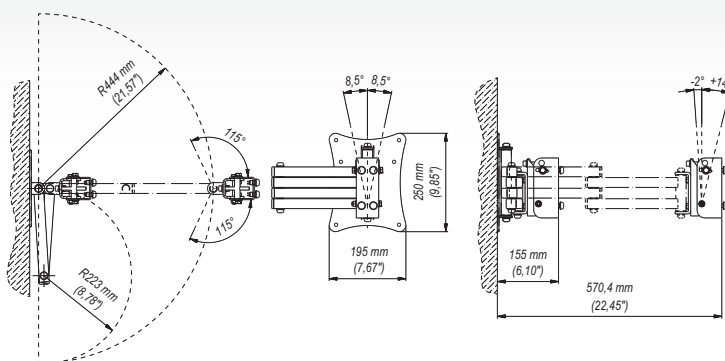
Features

- 1 **ADJUSTABLE POSITION**
3 axes of rotation
- 2 **CABLE ORGANISER**
- 3 **ADJUSTABLE TILT ANGLE**
variable from $-2^{\circ}/+14^{\circ}$



Technical Data

100x100 mm 200x100 mm 200x200 mm 300x300 mm 400x200 mm 400x400 mm 600x400 mm 800x200 mm 800x400 mm	115°/115°	42"-60"	min. 155 mm max. 570,4 mm
	80 Kg	$-2^{\circ}/+14^{\circ}$	min. 50x75 mm max. 850x460 mm
			$-8,5^{\circ}/+8,5^{\circ}$



Accessories

LWB1/PWB1/TWB1



Trade Information

Index	Colour	Package	EAN
SAP1c-R	Black	Multi-color	5908252961658
SAP1c-B	Black	Black	5908252960088
SAP1s-R	Grey	Multi-color	5908252961665
SAP1s-B	Grey	Black	5908252960095

Package Dimensions [mm] (H x W x D)	460x260x130
Weight [Kg]	5.9